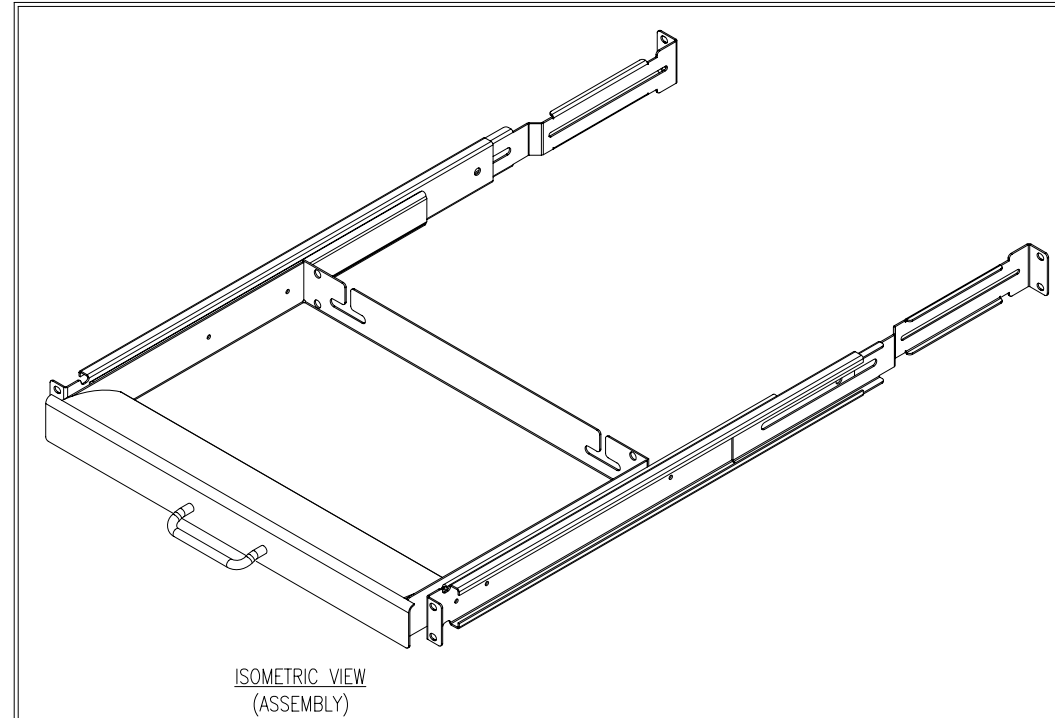
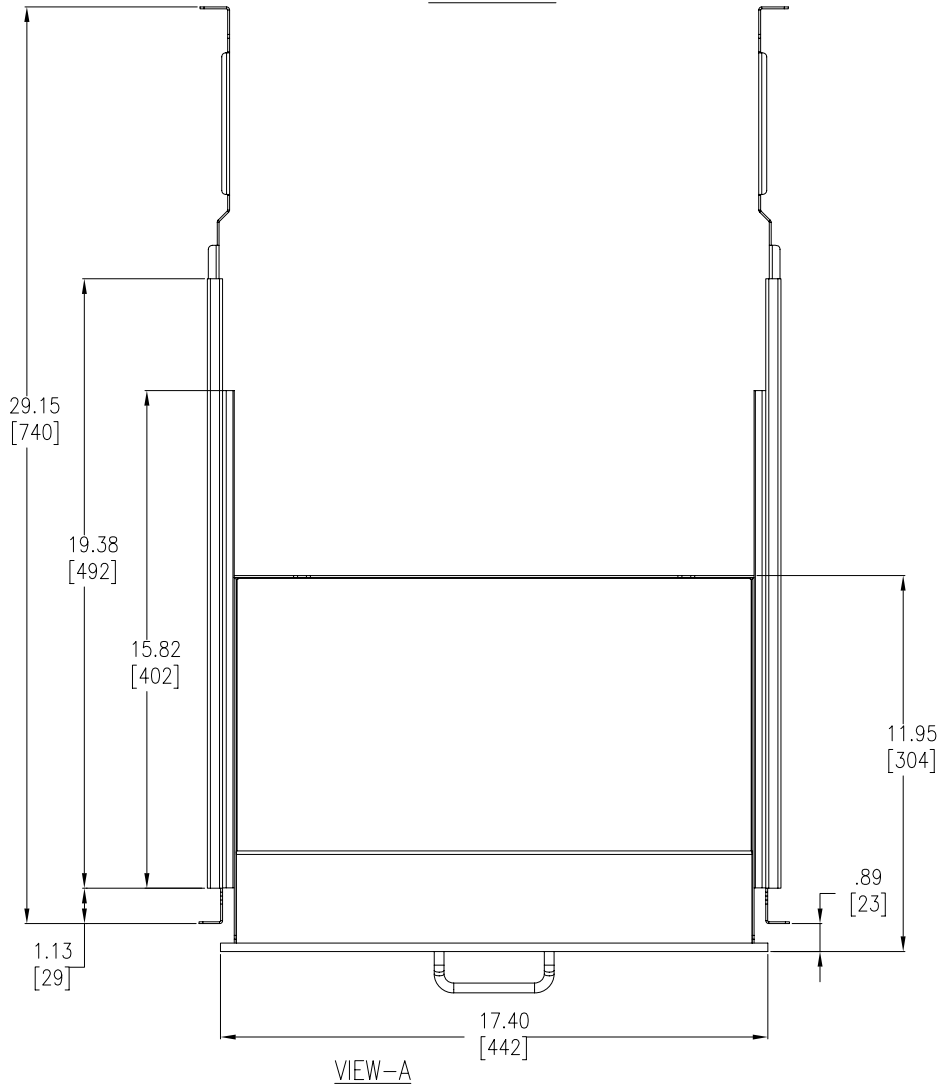
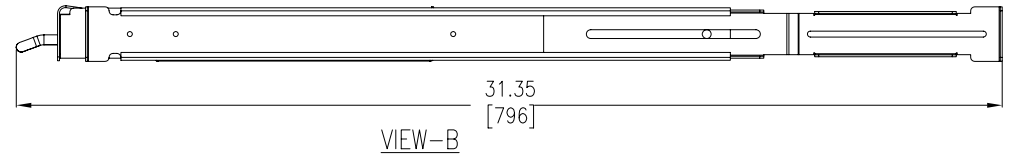
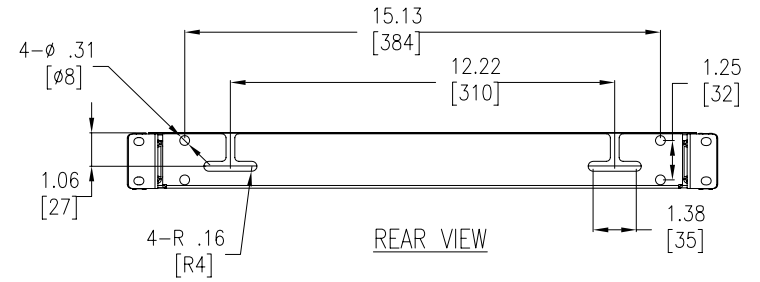
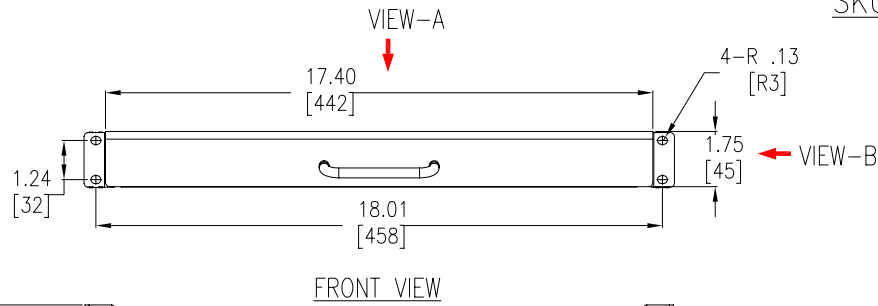


SKU DETAILS



NOTES:

1. INSTALLATION MUST COMPLY WITH ALL APPLICABLE NATIONAL AND LOCAL CODES.
2. PLEASE REFER TO APC PRODUCT MANUAL FOR DETAILS.
3. ALL DIMENSIONS ARE IN INCHES [MILLIMETERS].
4. WEIGHT OF UNIT IS 10.00 LBS [4.55 kg].

THIS DRAWING AND SPECIFICATIONS HEREIN ARE THE PROPERTY OF AMERICAN POWER CONVERSION AND SHALL NOT BE COPIED, REPRODUCED OR USED IN WHOLE OR IN PART, AS THE BASIS FOR THE MANUFACTURE OR SALE OF ITEMS WITHOUT WRITTEN PERMISSION FROM APC. THIS DRAWING IS BASED UPON LATEST AVAILABLE INFORMATION AND IS SUBJECT TO CHANGE WITHOUT NOTICE.



TITLE: 17-INCH KEYBOARD DRAWER MECHANICAL

PROJECT: SUBMITTAL DRAWINGS SHEET 1 OF 2

DWG NO: AR8126ABLK

DRAWN: K.NAGENDRA 07-DEC-07

ENGINEER: M.UHRHAN/B.OLIVER 18-JAN-08

APPROVED: B.SHERIDAN/E.SILVA/C.LARSEN/S.WACH 18-JAN-08

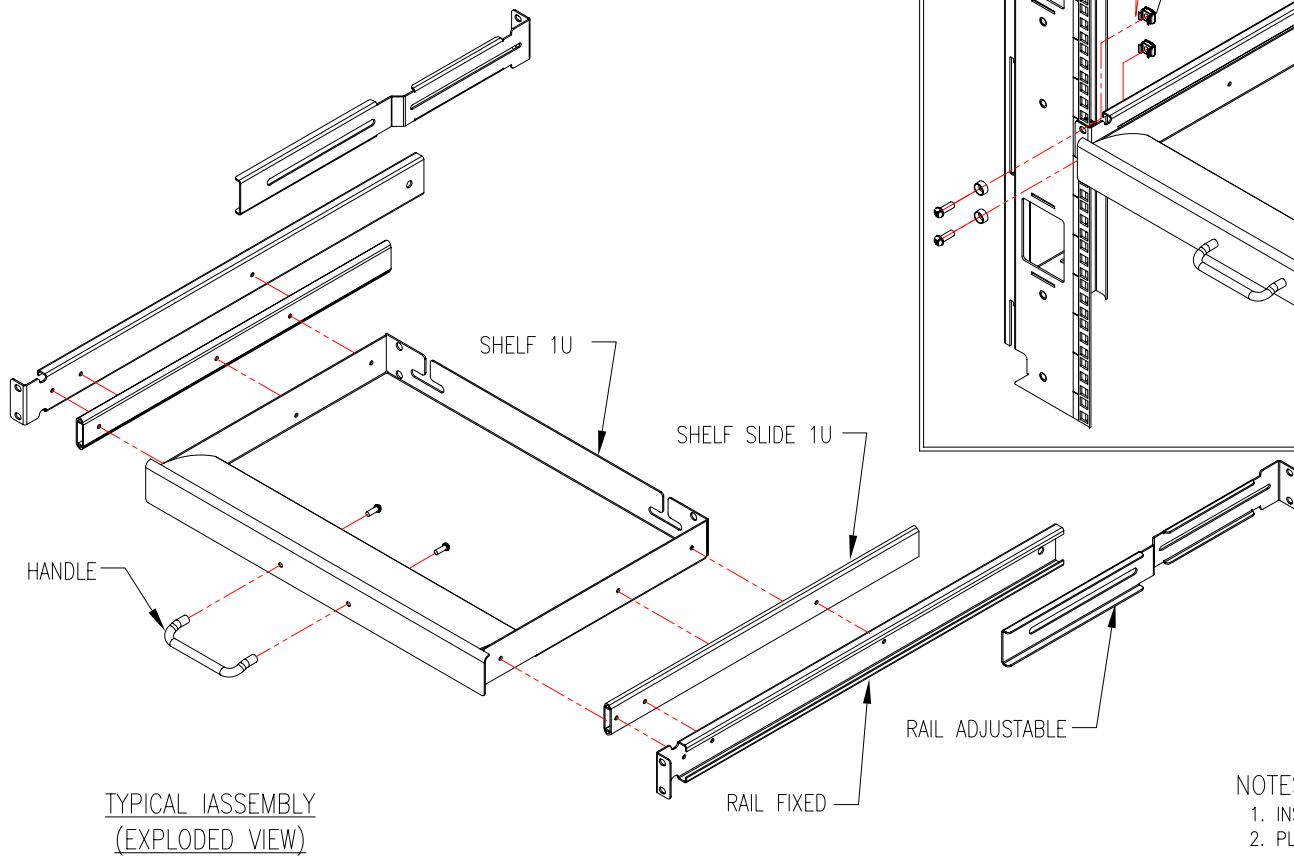
REV: 0

ANGLE

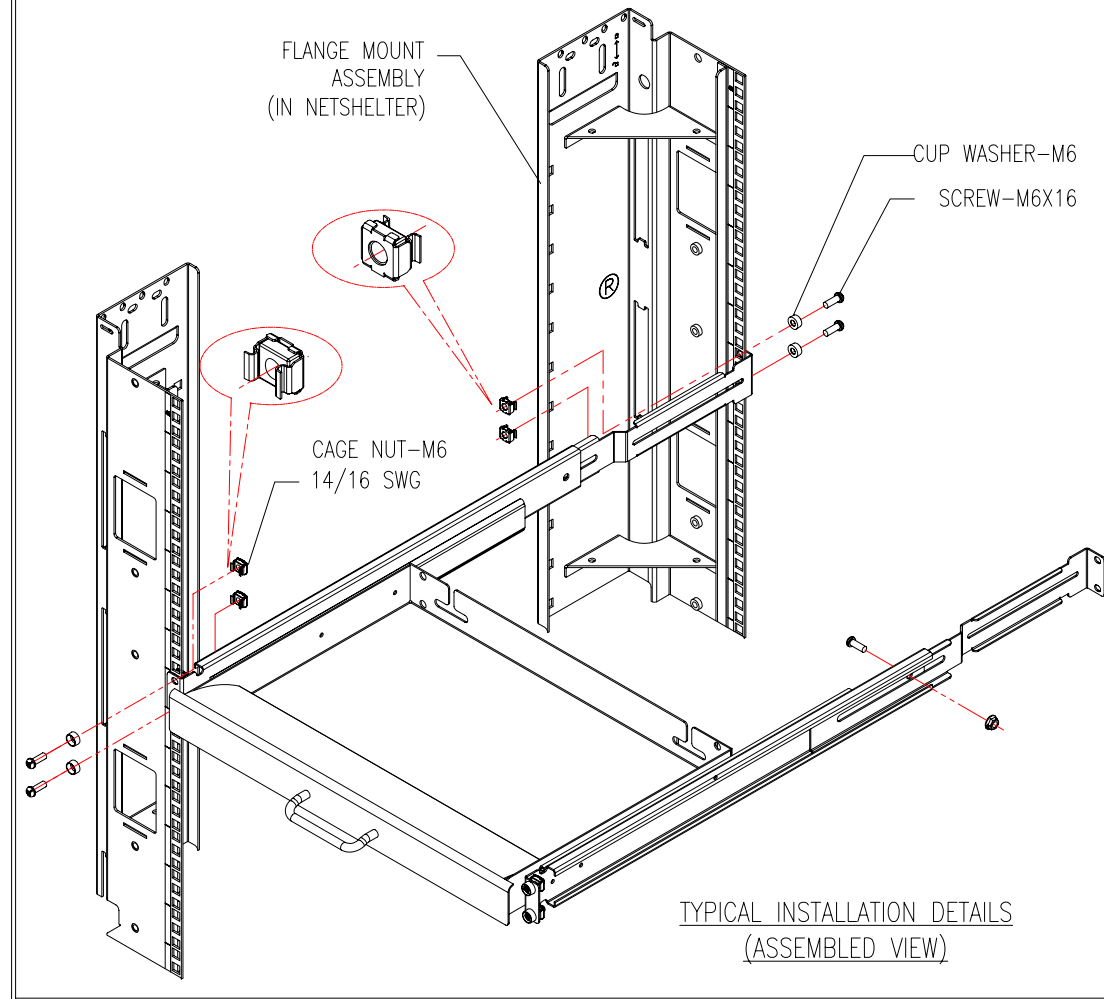
PROJECTION

N.A.

APPLICATION DETAILS
(ONE UNIT PER SKU)



TYPICAL ASSEMBLY
(EXPLODED VIEW)



TYPICAL INSTALLATION DETAILS
(ASSEMBLED VIEW)

NOTES:

1. INSTALLATION MUST COMPLY WITH ALL APPLICABLE NATIONAL AND LOCAL CODES.
2. PLEASE REFER TO APC PRODUCT MANUAL FOR DETAILS.

THIS DRAWING AND SPECIFICATIONS HEREIN ARE THE PROPERTY OF AMERICAN POWER CONVERSION AND SHALL NOT BE COPIED, REPRODUCED OR USED IN WHOLE OR IN PART, AS THE BASIS FOR THE MANUFACTURE OR SALE OF ITEMS WITHOUT WRITTEN PERMISSION FROM APC. THIS DRAWING IS BASED UPON LATEST AVAILABLE INFORMATION AND IS SUBJECT TO CHANGE WITHOUT NOTICE.



TITLE:
17-INCH KEYBOARD DRAWER
ASSEMBLY

PROJECT: SUBMITTAL DRAWINGS SHEET 2 OF 2

DWG NO: AR8126ABLK

DRAWN: K.NAGENDRA 07-DEC-07

ENGINEER: M.UHRHAN/B.OLIVER 18-JAN-08

APPROVED: B.SHERIDAN/E.SILVA/C.LARSEN/S.WACH 18-JAN-08

REV. 0

ANGLE

PROJECTION

N.A.