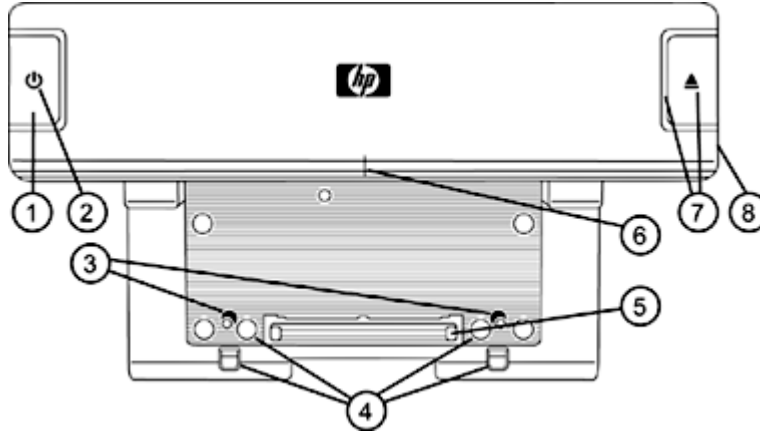


Overview

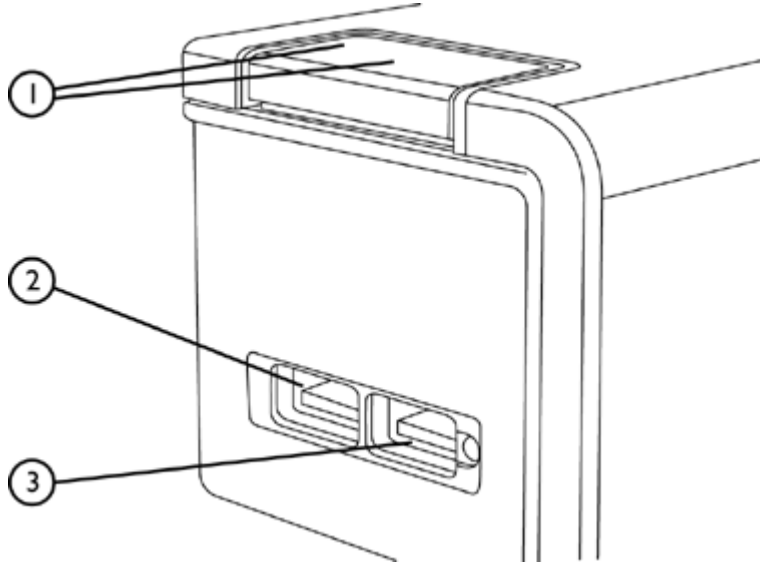
HP Docking Solutions

HP Docking Station and HP Advanced Docking Station



- | | |
|------------------------------|---|
| 1. Power button | 5. Docking connector |
| 2. Power light | 6. Visual alignment indicator |
| 3. Docking posts | 7. Notebook eject button and docking light |
| 4. Notebook eject mechanisms | 8. Integrated cable lock slot (to connect HP Kensington cable lock) |

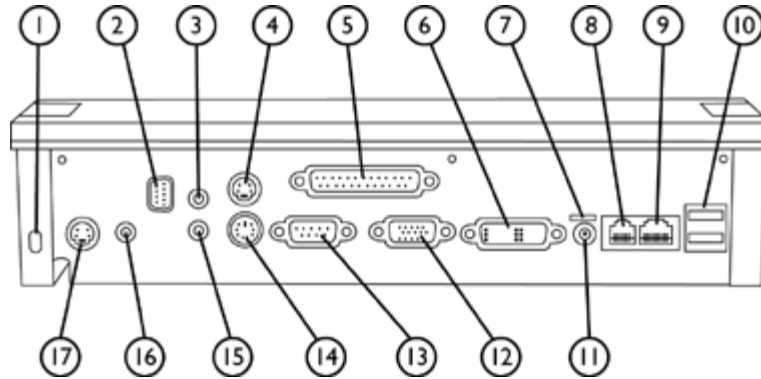
HP Docking Station Left-Side Components



- | | |
|---------------------------------|-------------------------|
| 1. Power button and power light | 3. Powered USB 2.0 port |
| 2. USB 2.0 port | |

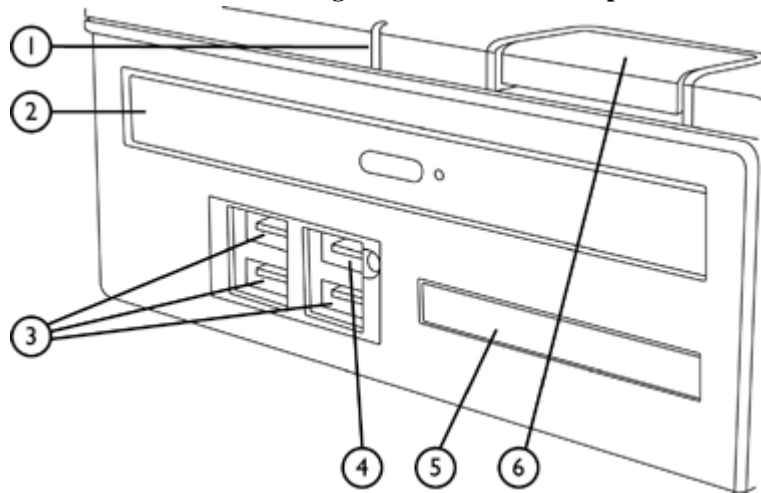
HP Docking Station Rear Components

Overview



- | | |
|-------------------------------|---------------------------|
| 1. Security cable slot | 10. USB 2.0 ports (2) |
| 2. Monitor stand port | 11. Power connector |
| 3. Audio-out jack | 12. External monitor port |
| 4. Mouse Connector | 13. Serial port |
| 5. Parallel Port | 14. Keyboard connector |
| 6. Digital Video (DVI-D) port | 15. Audio-in jack |
| 7. Power light | 16. Composite video port |
| 8. RJ-11 (modem) jack | 17. S-Video jack |
| 9. RJ-45 (network) jack | |

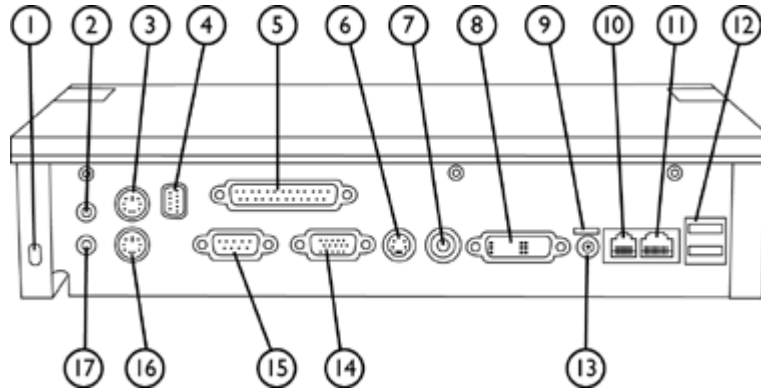
HP Advanced Docking Station Left-Side Components



- | | |
|----------------------|---------------------------------|
| 1. MultiBay II light | 4. Powered USB 2.0 port |
| 2. MultiBay II | 5. ExpressCard slot |
| 3. USB 2.0 ports (3) | 6. Power button and power light |

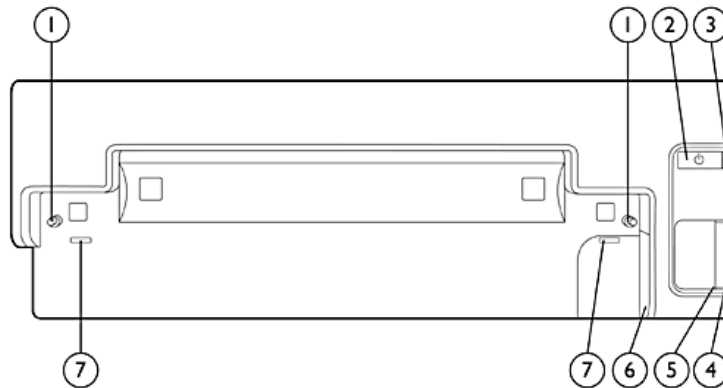
HP Advanced Docking Station Rear Components

Overview



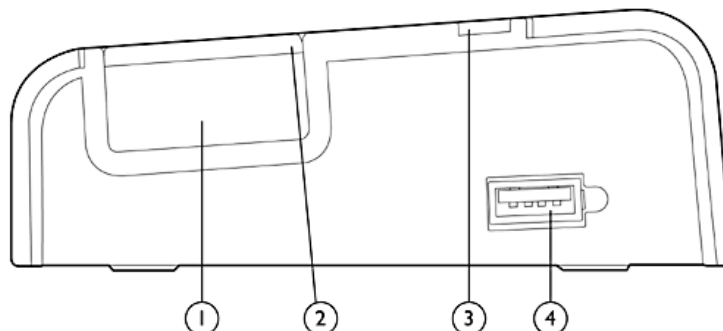
- | | |
|-------------------------------|---------------------------|
| 1. Security cable slot | 10. RJ-11 (modem) jack |
| 2. Audio-out jack | 11. RJ-45 (network) jack |
| 3. Mouse connector | 12. USB 2.0 ports (2) |
| 4. Monitor stand port | 13. Power connector |
| 5. Parallel port | 14. External monitor port |
| 6. S-Video jack | 15. Serial port |
| 7. Composite video port | 16. Keyboard connector |
| 8. Digital Video (DVI-D) port | 17. Audio-in jack |
| 9. Power light | |

HP 2400/2500 Series Docking Station



- | | |
|-------------------------|--|
| 1. Docking posts | 5. Connect button |
| 2. Power button | 6. Docking connector |
| 3. Computer power light | 7. Computer connect/release mechanisms |
| 4. Connect light | |

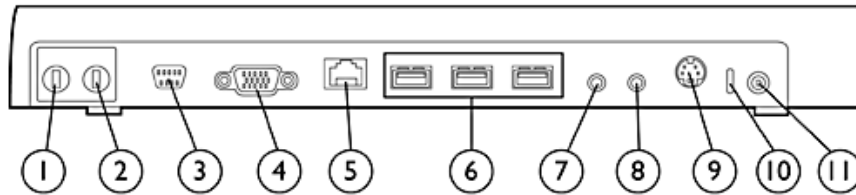
HP 2400/2500 Series Docking Station Left-Side Components



Overview

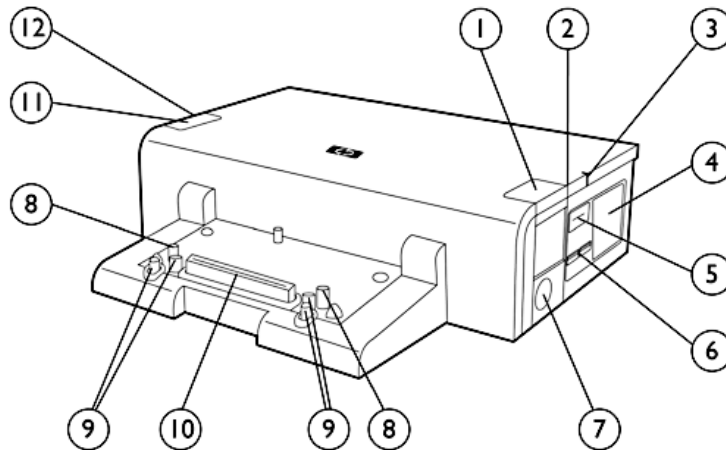
- | | |
|-------------------|-------------------------|
| 1. Connect button | 3. Computer power light |
| 2. Connect light | 4. Powered USB 2.0 port |

HP 2400/2500 Series Docking Station Rear Components



- | | |
|--|---------------------|
| 1. Integrated security cable slot (for locking docking station only) | 7. Audio-in jack |
| 2. Integrated security cable slot (for locking computer and docking station) | 8. Audio-out jack |
| 3. Monitor stand port (VGA) | 9. S-Video-out jack |
| 4. External monitor port | 10. Power light |
| 5. RJ-45 (network) jack | 11. Power connector |
| 6. USB ports (3) | |

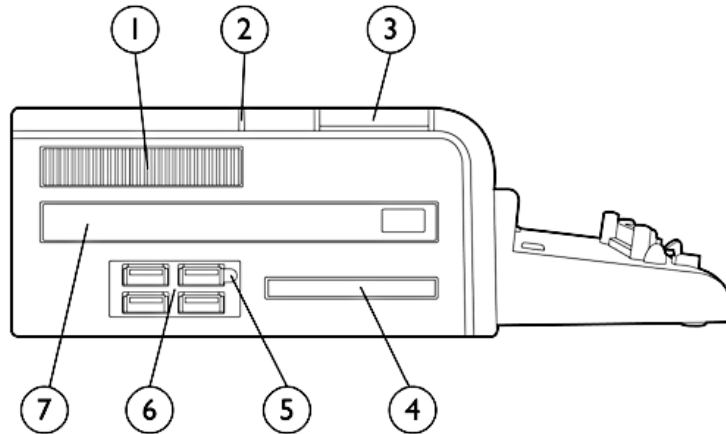
HP 3-in-1 NAS Docking Station (not available in EMEA as of September 2007)



- | | |
|--------------------------|-------------------------------|
| 1. Notebook eject button | 7. Integrated cable lock slot |
| 2. Docking light | 8. Docking posts (2) |
| 3. Hard drive light | 9. Notebook eject mechanisms |
| 4. Vent | 10. Docking connector |
| 5. Backup button | 11. Power light |
| 6. Network USB ports (2) | 12. Power button |

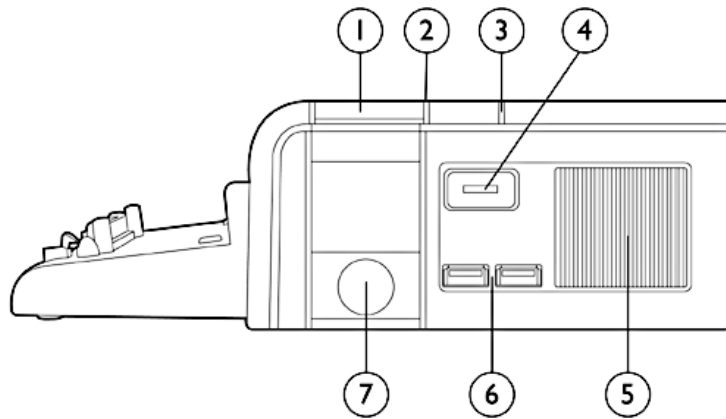
HP 3-in-1 NAS Docking Station Left-Side Components

Overview



- | | |
|----------------------|-------------------------|
| 1. Vent | 5. Powered USB 2.0 port |
| 2. MultiBay II light | 6. USB 2.0 ports (3) |
| 3. Power button | 7. MultiBay II |
| 4. ExpressCard slot | |

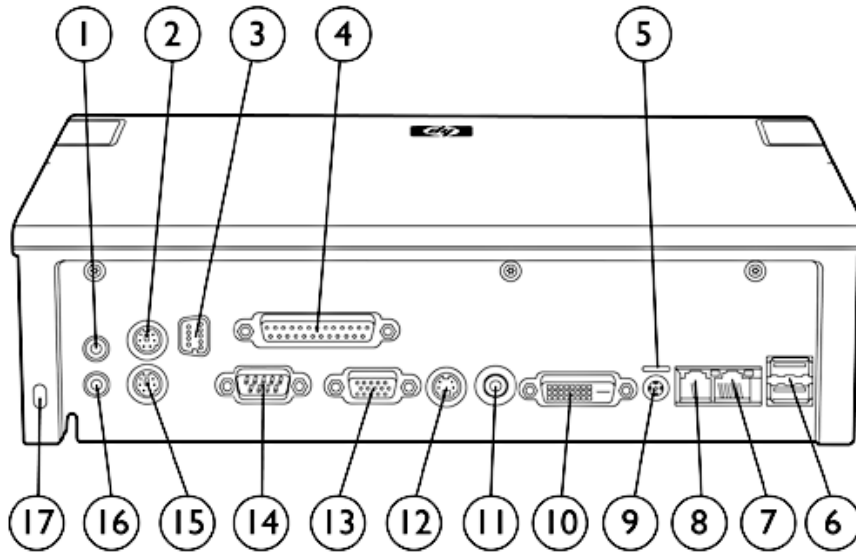
HP 3-in-1 NAS Docking Station Right-Side Components



- | | |
|--------------------------|-------------------------------|
| 1. Notebook eject button | 5. Vent |
| 2. Docking light | 6. Network USB ports (2) |
| 3. Hard drive light | 7. Integrated cable lock slot |
| 4. Backup button | |

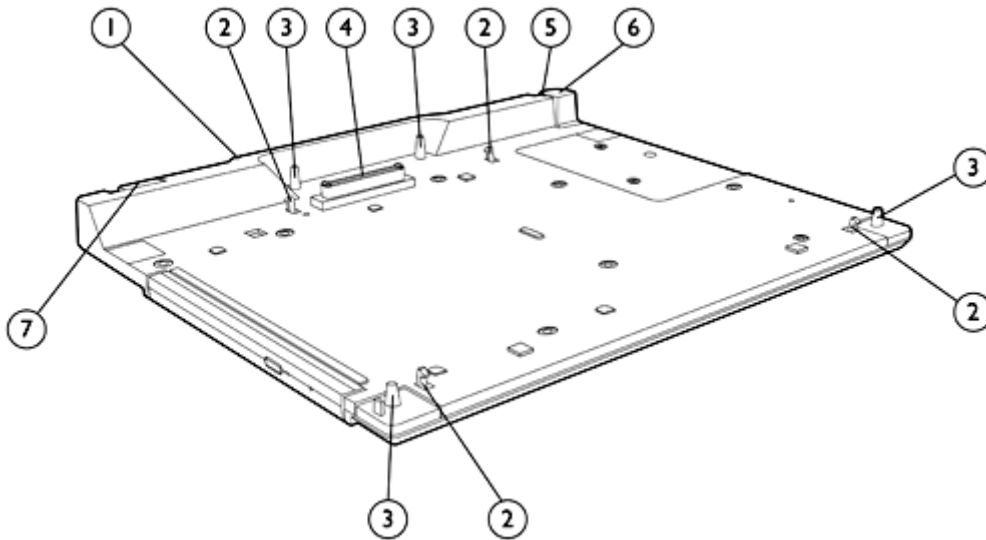
HP 3-in-1 NAS Docking Station Rear Components

Overview



- | | |
|-------------------------|---------------------------------|
| 1. Audio-out jack | 10. Digital video port (DVI) |
| 2. Mouse connector | 11. Composite video port |
| 3. Monitor stand port | 12. S-video-out port |
| 4. Parallel port | 13. External monitor port (VGA) |
| 5. Power light | 14. Serial port |
| 6. USB 2.0 ports (2) | 15. Keyboard connector |
| 7. RJ-45 (network) jack | 16. Audio-in jack |
| 8. RJ-11 (modem) jack | 17. Security cable lock slot |
| 9. Power connector | |

HP 2700 Ultra-Slim Expansion Base

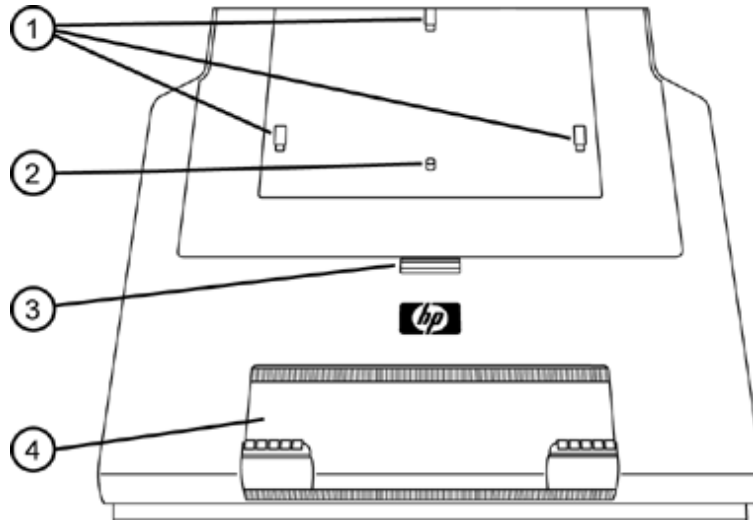


- | | |
|--|---------------------|
| 1. AC power connect light | 5. Connection light |
| 2. Docking posts | 6. Connection latch |
| 3. Computer connect/release mechanisms | 7. Connection latch |
| 4. Docking connector | |

HP Adjustable Notebook Stand

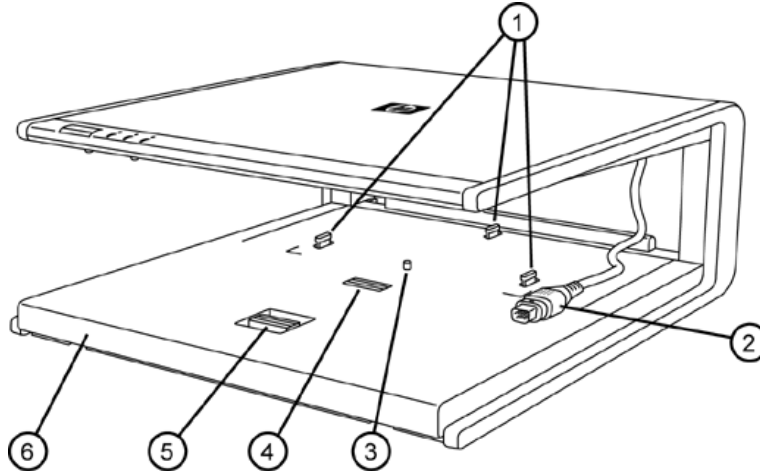


Overview



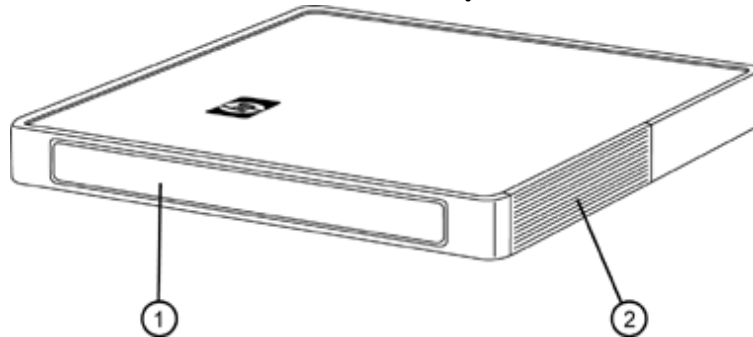
- 1. Docking posts
- 2. Docking release post
- 3. Eject button
- 4. Sliding shelf

HP Monitor Stand



- 1. Docking posts
- 2. Docking station cable
- 3. Docking release post
- 4. Eject button
- 5. Sliding tray button
- 6. Sliding tray

External MultiBay II



- 1. Drive Bay
- 2. Pivoting Foot

Overview

Models

HP Basic Docking Station with Smart Adapter	EN488AA#xxx
HP Advanced Docking Station with Smart Adapter	EN489AA#xxx
HP 2400/2500 Series Docking Station	EQ773AA#xxx
HP 3-in-1 NAS Docking Station (not available in EMEA since Sept 2007)	EM537AA#xxx
HP 2700 Ultra-Slim Expansion Base	GD229AA#B13
HP Monitor Stand	PA507A
HP Adjustable Notebook Stand	PA508A
HP External MultiBay II	PA509A#B13
HP / Kensington Security Cable Lock	PC766A

Introduction

HP provides a portfolio of professional-grade accessories that deliver an ideal mobile office designed to help you achieve your business goals, increase productivity and lower your costs. All HP accessories go through rigorous testing and are certified to work seamlessly with your HP Business Notebook. They are backed up by HP's world-class support.

HP docking solutions include a range of convenient expansion solutions that easily connect to your HP Business Notebook. Create an ideal desktop computing environment using ergonomic docking stations and stands that provide port replication and cable management, as well as enable future expandability.

HP is committed to delivering the optimal mobile computing experience by offering industry-leading accessories for every mobile user, whether you are a frequent traveler or rarely leave your desk. Enjoy return on investment from these easy-to-use, easy-to-deploy, and easy-to-manage expansion solutions.

HP Basic Docking Station

Desktop convenience with full port replication capability in a space-saving design.

Key Benefits

- Easy docking system provides port replication and cable management in one product.
- Four USB ports allow you to connect more peripherals to make you more productive.
- Optional integrated HP/Kensington Cable Lock allows you to secure your docking station and notebook with one lock.

AC adapter included

The HP Basic Docking Station with Smart Adapter features a new energy-efficient 120W Smart AC adapter that guards against power fluctuations with integrated surge protection. The 120W Smart AC adapter can be leveraged across all HP Business Notebooks, providing a cost-effective solution for reducing power consumption and equipment costs.

HP Advanced Docking Station

Robust desktop replacement solution for your mobile office with advanced features for future expansion.

Key Benefits

- Easy docking system provides port replication and cable management, plus expandability through an integrated MultiBay II expansion bay and ExpressCard slot - all in one product.
- Six USB ports allow you to connect more peripherals to make you more productive.
- Optional integrated HP/Kensington Cable Lock allows you to secure your docking station, notebook and integrated



Overview

MultiBay II drive with one lock.

AC adapter included

The HP Advanced Docking Station with Smart Adapter features a new energy-efficient 135W Smart AC adapter that guards against power fluctuations with integrated surge protection. The 135W Smart AC adapter can be leveraged across all HP Business Notebooks and docking stations, providing a cost-effective solution for reducing power consumption and equipment costs.

HP 2400/2500 Series Docking Station

Full port replication and cable management in a space-saving design, the HP 2400/2500 series Docking Station is compatible with all HP 2400 and 2500 series Notebook PCs.

Key Benefits

- Easy docking system provides port replication and cable management in one product.
- Four USB ports allow you to connect more peripherals to make you more productive.
- Compatible with the HP Adjustable Notebook Stand and HP Monitor Stand to create an ergonomic desktop computing experience.

AC adapter included

The HP 2400/2500 Series Docking Station features an energy-efficient 65W Smart AC adapter that guards against power fluctuations with integrated surge protection. The 65W Smart AC adapter can be leveraged across most HP Business Notebooks, providing a cost-effective solution for reducing power consumption and equipment costs.

HP 3-in-1 NAS Docking Station (not available in EMEA since September 2007)

The HP 3-in-1 NAS Docking Station gives you desktop-like ergonomics and expansion while in the office with port replication, cable management, and security features as well as six USB ports and MultiBay II and ExpressCard slots.

The HP 3-in-1 NAS Docking Station features an integrated 160GB 7200rpm SATA hard drive that is accessible as a network drive via a Broadcom BCM4781 NASoC chip for secure and reliable data backup and recovery. HP's Backup and Recovery Manager software (included) allows for convenient automatic or manual system backup to prevent data loss and reduce potential downtime.

The HP 3-in-1 NAS Docking Station is an easy-to-manage file sharing solution that allows an administrator to set up and manage access to the network drive via an embedded NAS Configuration Utility. The administrator is able to subdivide the disk space into "pools" for individual users and can control access to the drive or secure pools by creating encryption passwords. Authorized users can then save and retrieve data from anywhere with network access.

Connect a USB printer to one of the two network USB ports on the HP 3-in-1 NAS Docking Station and use the docking station as a network print server. Connect an external hard drive to the other network USB port and use it as a "legacy drive" in Windows or add the hard drive capacity to the 160-GB docking station network drive for more shared disk space.

Key Benefits

- Easy docking system provides port replication and cable management, plus expandability through an integrated MultiBay II expansion bay and ExpressCard slot - all in one product
- Six USB ports allow you to connect more peripherals to make you more productive
- Optional integrated HP/Kensington Cable Lock allows you to secure your docking station, notebook and integrated MultiBay II drive with one lock
- Integrated high-capacity 160-GB SATA Hard Drive offers superior reliability and performance
- Broadcom BCM4781 NASoC chip provides Network Attached Storage capabilities



Overview

- Includes HP Backup and Recovery Manager software for simple data recovery and backup

AC adapter included

- The HP 3-in-1 NAS Docking Station features an energy-efficient 180W AC adapter that guards against power fluctuations with integrated surge protection. The 180W AC adapter can be leveraged across all HP Business Notebooks and docking stations, providing a cost-effective solution for reducing power consumption and equipment costs.

HP 2700 Ultra-Slim Expansion Base

No need to plug and unplug your peripherals every time. Dock your HP 2710p Notebook PC while in the office or on the go with the HP 2700 Ultra-Slim Expansion Base which features an integrated DVD+/-RW drive.

Key Benefits

- Adaptable mobile expansion solution
- Add the HP 2700 Series Ultra-slim Battery and get over 11 hours and 45 minutes of run time when used in conjunction with your primary battery.
- Dock your notebook while in the office or on the road - no need to plug and unplug your peripherals
- DVD+/-RW drive included
- Fits neatly into your Notebook carrying case.

HP Adjustable Notebook Stand

Turn your HP Business Notebook into a desktop solution supporting up to two displays (notebook display plus monitor or two external displays) or completely eliminate the external display by raising your computer screen to a comfortable level.

Decide what kind of desktop solution suits you best - no display or up to two displays with your HP Business Notebook. The adaptable design of the HP Adjustable Notebook Stand lets you connect the HP Docking Station, the HP Advanced Docking Station, the HP 3-in-1 NAS Docking Station or the HP 2400/2500 Series Docking Station.

Key Benefits

- Raise your computer screen to an adjustable comfortable eye level.
- Use two displays at once to increase productivity - your notebook display, plus connect one external display via the VGA or DVI port on your docking station.
- Keep your desktop clutter-free even when connecting multiple devices with the simple cable management channels on the back of the stand.

HP Monitor Stand

The HP Monitor Stand is a space-saving monitor stand letting you connect to the HP Docking Station, the HP Advanced Docking Station, the HP 3-in-1 NAS Docking Station or the HP 2400/2500 Series Docking Station.

- Compact design with support for up to 21 inch CRT monitor (up to 100 lbs).
- Convenient power button and light, AC power light, dock light and MultiBay II light (Advanced Docking Station and 3-in-1 NAS Docking Station only) on the stand replaces controls on the docking station.
- Open-sided design allows easy access to frequently used bays, slots and ports on the docking station.
- When used with the HP Docking Station, the sliding tray allows you to choose from four different settings to position your

Overview

docking station and computer.

HP External MultiBay II

If you are looking for the perfect solution to expand the storage capability of your HP Business Notebook, why not add an optical or hard drive? The HP External MultiBay II lets you quickly and easily add an additional drive to your system.

Key Benefits

- Convenient 9.5mm MultiBay II technology provides a compact optical and hard drive storage solution.
- Unique foot design allows you to place the MultiBay II in either a vertical or horizontal position.
- Quickly and easily add an optical drive or hard drive.

AC Adapter, Regular USB cable and High-powered USB cable included.

HP/Kensington Cable Lock

Secure your notebook, docking station and integrated MultiBay II drive (when used with the HP Advanced Docking station or HP 3-in-1 NAS Docking Station) and integrated 160GB hard drive (HP 3-in-1 NAS Docking Station only) with the HP Kensington Lock.

Key Benefits

- Physically secure your notebook and docking accessories.
- Can be used as a regular cable security lock for any notebook PC
- Connect to standard Kensington lock slot on the docking stations, or integrate into the HP Docking Station or HP Advanced Docking Station via the unique lock cavity providing enhanced security.

Standard Features

Standard Features for HP Basic Docking Station

2 docking posts	Align and secure the computer for proper connection to the docking station
Docking connector	Connects the computer to the docking station
Vertical alignment marker	Helps you align the computer with the docking station for fast and easy docking
Power button and power light	Power indicators
Eject button and dock light	Ejects computer from docking station. Dock light is turned on when the computer is properly connected.
USB ports	4 USB 2.0 ports (1 powered)
Powered USB port	Allows you to connect to select USB devices such as the HP External MultiBay II as well as regular USB devices
Integrated cable lock slot	Supports the HP/Kensington Cable Lock, which secures the docking station and connected computer
Audio and Network connectors	Audio, Ethernet and Modem ports
Legacy connectors	Mouse, Keyboard, Serial and Parallel connectors
Other connectors	S-Video, Monitor Stand, VGA and DVI-D ports. AC adapter connector with light
Smart Adapter	120W Smart AC Adapter

Service and Support	One-year limited warranty. Additional support is available 24 hours a day, seven days a week by phone as well as online support forms. NOTE: Certain restrictions and exclusions apply. Consult the HP Customer Support Center for details.
----------------------------	---

Compatibility	The HP Docking Station is compatible with HP Compaq 4200, 4400, 6100, 6200, 6300, 6400, 6510, 6515, 6710, 6715, 6910 7400, 8200, 8400, 8510, 8710 and 9400 series Notebook PCs and HP Compaq 4200 and 4400 series Tablet PCs. NOTES: Some notebook models do not support the docking feature. DVI is not supported on the HP Compaq 6100 and 6300 series.
----------------------	---

Standard Features for HP Advanced Docking Station

2 docking posts	Align and secure the computer for proper connection to the docking station
Docking connector	Connects the computer to the docking station
Vertical alignment marker	Helps you align the computer with the docking station for fast and easy docking
Power button and power light	Power indicators
Eject button and dock light	Ejects computer from docking station. Dock light is turned on when the computer is properly connected.
USB ports	6 USB 2.0 ports (1 powered)
Powered USB port	Allows you to connect to select USB devices such as the HP External MultiBay II as well as regular USB devices
Integrated cable lock slot	Supports the HP/Kensington Cable Lock, which secures the docking station, connected computer and the optional MultiBay II drive
Audio and Network connectors	Audio, Ethernet and Modem ports
Legacy connectors	Mouse, Keyboard, Serial and Parallel connectors
Other connectors	S-Video, Monitor Stand, VGA and DVI-D ports. AC adapter connector with light
MultiBay II slot	Supports all 9.5mm HP MultiBay II drives for additional local storage capabilities
ExpressCard slot	Supports ExpressCard technologies for future expandability



Standard Features

Smart Adapter	135W Smart AC Adapter
Service and Support	One-year limited warranty. Additional support is available 24 hours a day, seven days a week by phone as well as online support forms. NOTE: Certain restrictions and exclusions apply. Consult the HP Customer Support Center for details.
Compatibility	The HP Advanced Docking Station is compatible with HP Compaq 4200, 4400, 6100, 6200, 6300, 6400, 6510, 6515, 6710, 6715, 6910 7400, 8200, 8400, 8510, 8710 and 9400 series Notebook PCs and HP Compaq 4200 and 4400 series Tablet PCs. NOTES: Some notebook models do not support the docking feature. DVI is not supported on the HP Compaq 6100 and 6300 series.

Standard Features for HP 2400/2500 Series Docking Station

2 docking posts	Align and secure the computer for proper connection to the docking station
Power button	Turns on the power to the computer
Computer power light	On: a docked computer is turned on
2 computer connect / release mechanisms	Connect and release the computer when you press the connect button
Docking connector	Connects the computer to the docking station
Connect button	Secures and releases the computer Slide in to secure the computer Slide out to release the computer
Connect light	On: a computer is fully docked
Computer power light	On: a docked computer is turned on
USB ports	4 USB 2.0 ports (1 powered)
Powered USB port	Allows you to connect to select USB devices such as the HP External MultiBay II as well as regular USB devices
Security cable slots	Allows you to secure your docking station, or both your notebook and docking station
Audio and Network connectors	Audio and Ethernet ports
Other connectors	S-Video, Monitor Stand, External VGA monitors

Service and Support	One-year limited warranty. Additional support is available 24 hours a day, seven days a week by phone as well as online support forms. NOTE: Certain restrictions and exclusions apply. Consult the HP Customer Support Center for details.
----------------------------	---

Compatibility	The HP 2400/2500 Series Docking Station is compatible with HP 2400 and 2500 series notebook PCs.
----------------------	--

Standard Features for HP 3-in1 NAS Docking Station (Not available in EMEA since September 2007)

2 docking posts	Align and secure the computer for proper connection to the docking station
Docking connector	Connects the computer to the docking station
Vertical alignment marker	Helps you align the computer with the docking station for fast and easy docking
Power button and power light	Power button turns notebook on and off Power light is on when the notebook is turned on
Eject button and dock light	Eject button ejects computer from docking station Dock light is on when the computer is properly connected



Standard Features

Internal hard drive	Network 160GB 3.5" formatted hard drive
NAS chip	Broadcom BCM4781 NASoC chip
Hard drive light	Light is on when the internal hard drive is being accessed
MultiBay II light	Light is on when MultiBay II drive is being accessed
USB ports	6 USB 2.0 ports (1 powered)
Powered USB port	Allows you to connect to select USB devices such as the HP External MultiBay II as well as regular USB devices
Network USB ports	2 network USB ports for attaching additional network storage or a network printer
Integrated cable lock slot	Supports the HP/Kensington Cable Lock, which secures the docking station, connected computer, the optional MultiBay II drive and the internal 160GB hard drive
Audio and network connectors	Audio, Ethernet and Modem ports
Legacy connectors	Mouse, Keyboard, Serial and Parallel connectors
Other connectors	S-Video, Monitor Stand, VGA and DVI-D ports. Smart AC adapter connector with light, ExpressCard slot
Smart adapter	180W Smart AC Adapter.
Software	HP Backup and Recovery Manager HP NAS

Service and Support	One-year limited warranty. Additional support is available 24 hours a day, seven days a week by phone as well as online support forms. NOTE: Certain restrictions and exclusions apply. Consult the HP Customer Support Center for details.
----------------------------	---

Compatibility	The HP 3-in-1 NAS Docking Station is compatible with HP Compaq 4200, 4400, 6100, 6200, 6300, 6400, 6510, 6515, 6710, 6715, 6910 7400, 8200, 8400, 8510, 8710 and 9400 series Notebook PCs and HP Compaq 4200 and 4400 series Tablet PCs. NOTES: Some notebook models do not support the docking feature. DVI is not supported on the HP Compaq 6100 and 6300 series.
----------------------	--

Features for HP 2710p Ultra-Slim Expansion Base

Ports	USB 2.0 (four ports) VGA (Dsub 15 pin) RJ-45 / Ethernet pass thru Headphone output (stereo) Microphone Input (stereo) S-Video TV Out DC-in Docking connector for notebook or travel battery
Optical Drive	7mm PATA DVD +/-RW Optical drive
Adapters	65W smart AC adapter
LED indicators	AC present aqua white Dock connected blue Two RJ45 LEDs amber/green
Security	Kensington Security Lock

Service and Support	One-year limited warranty. Additional support is available 24 hours a day, seven days a week by phone as well as online support forms. NOTE: Certain restrictions and exclusions apply. Consult the HP Customer Support Center for details.
----------------------------	---

Compatibility	The HP 2710p Ultra-Slim Expansion Base is compatible with the HP Compaq 2710p Notebook PC.
----------------------	--



Standard Features

Standard Features for HP Adjustable Notebook Stand

Docking posts	Align and secure the docking station to the stand
Docking release posts	Helps secure a connected docking station
Release button	Releases the docking station from the stand
Sliding shelf	Allows you to adjust for different-sized computers
Cable management channels	Allows you to organize and hide accessory cables in a central location helping to reduce clutter when connecting multiple devices
Adjustment handles	Allows you to adjust the angle of the stand to make the workstation comfortable for you
Security cable slot	Secures the stand to a stationary object when you attach a security cable lock

Service and Support	One-year limited warranty. Additional support is available 24 hours a day, seven days a week by phone as well as online support forms. NOTE: Certain restrictions and exclusions apply. Consult the HP Customer Support Center for details.
----------------------------	---

Compatibility	The HP Adjustable Notebook Stand is compatible with HP Compaq 2400, 4200, 4400, 6120, 6125, 6200, 6320, 6325, 7400, 8200, 8400 and 9400 series Notebook PCs and HP Compaq 4200 and 4400 series Tablet PCs.
----------------------	--

Standard Features for HP Monitor Stand

Power button	Turns on power to the system. The light is turned on when the docked computer is turned on.
AC power light	Lights up when the docking station is connected to the AC power
Dock light	Lights up when the computer is successfully docked to the docking station
MultiBay II activity light	Indicates MultiBay II drive activity (Advanced Docking Station only)
Docking posts	Aligns and secures docking station to the stand
Docking release post	Helps secure a connected docking station
Alignment marks	Helps you correctly align the docking station when connecting it to the stand
Release button	Releases the docking station from the stand
Tray slide button	Allows you to adjust the position of the docking station and computer
Docking station cable	Connects the docking station to allow you to use the monitor stand power button and activity light

Service and Support	One-year limited warranty. Additional support is available 24 hours a day, seven days a week by phone as well as online support forms. NOTE: Certain restrictions and exclusions apply. Consult the HP Customer Support Center for details.
----------------------------	---

Compatibility	The HP Monitor Stand is compatible with HP Compaq 2400, 4200, 4400, 6120, 6125, 6200, 6320, 6325, 7400, 8200, 8400 and 9400 series Notebook PCs and HP Compaq 4200 and 4400 series Tablet PCs.
----------------------	--

Standard Features for HP External MultiBay II

Drive Bay	Accepts 9.5-mm optical drives and hard drives (does not support diskette drive or battery)
Pivoting foot	Allows the MultiBay II to stand vertically
Eject mechanism	Ejects the drive
Security cable slot	Secures the MultiBay II to a stationary object when you attach a security cable lock
Mini-USB port	Connects the MultiBay II to the computer or docking station using a standard or powered mini-USB cable
Power connector	Connects the AC Adapter

Standard Features

Service and Support

One-year limited warranty. Additional support is available 24 hours a day, seven days a week by phone as well as online support forms.

NOTE: [Certain restrictions and exclusions apply. Consult the HP Customer Support Center for details.](#)

Compatibility

The HP External MultiBay II is compatible with HP Compaq 2400, 4200 and 4400 series, as well as the HP Docking Station, HP Advanced Docking Station, HP 2400/2500 Series Docking Station and HP 3-in-1 NAS Docking Station, via the powered USB cable. HP Compaq 4000, 5000, 6000, 6100, 6200, 6300, 6400, 7000, 7400, 8000, 8200, 8400 and 9400 series Notebook PCs, and 1000 series Tablet PCs are compatible with the HP External MultiBay II via a regular USB cable and AC adapter (powered USB not supported).

Technical Specifications

HP Basic Docking Station	Dimensions (H x W x D)	11.02 x 2.4 x 6.02 in (28.0 x 6.1 cm x 15.3 cm)		
	Weight	2.24 lbs (1.02 kg)		
	Power Supply (input)	Rated Voltage	100 to 240 V	
		Rated Current	2.5A rms	
		Line Frequency	50 - 60 Hz	
	Temperature	Operating	50° to 95° F (10° to 35° C)	
		Non-operating	14° to 140° F (-10° to 60° C)	
	Relative Humidity	Operating/Non-condensing	10% to 90% relative humidity	
		Non-operating	5% to 90% relative humidity, 101.6° F (38.7° C) maximum wet bulb temperature	
	Maximum Altitude	Operating	0 to 10,000 ft (0 to 3,048 m)	
		Non-operating	0 to 30,000 ft (0 to 9,144 m)	
	Shock	Operating	10 G, 11 ms, half-sine	
		Non-operating	60 G, 11 ms, half-sine	
	Vibration	Operating	0.5 G zero-to-peak, 10 to 500 Hz, 0.25 oct/min sweep rate	
		Non-operating	1 G, zero-to-peak, 10 to 500 Hz, 0.5 oct/min sweep rate	
Option Kit Contents	HP Docking Station, AC power adapter, documentation			

HP Advanced Docking Station	Dimensions (H x W x D)	11.02 x 2.4 x 9.56 in (28.0 x 6.1 cm x 24.3 cm)		
	Weight	3.93 lbs (1.78 kg)		
	Power Supply (input)	Rated Voltage	100 to 240 V	
		Rated Current	2.5A rms	
		Line Frequency	50 - 60 Hz	
	Temperature	Operating	50° to 95° F (10° to 35° C)	
		Non-operating	14° to 140° F (-10° to 60° C)	
	Relative Humidity	Non-operating	5% to 90% relative humidity, 101.6° F (38.7° C) maximum wet bulb temperature	
	Maximum Altitude	Operating	0 to 10,000 ft (0 to 3,048 m)	
		Non-operating	0 to 30,000 ft (0 to 9,144 m)	
	Shock	Operating	10 G, 11 ms, half-sine	
		Non-operating	60 G, 11 ms, half-sine	
	Vibration	Operating	0.5 G zero-to-peak, 10 to 500 Hz, 0.25 oct/min sweep rate	
		Non-operating	1 G, zero-to-peak, 10 to 500 Hz, 0.5 oct/min sweep rate	
	Option Kit Contents	HP Advanced Docking Station, AC power adapter documentation		

HP 2400/2500 Series Docking Station	Dimensions (H x W x D)	14.8 x 1.5 x 4.4 in (37.7x 3.9 x 11.2 cm)		
	Weight	1.52 lbs (0.69 kg)		
	Stand-alone power requirements	Normal Operating Voltage	18.5 V	
		Average Operating Power	18.5 W	
		Max Operating Power	< 65 W	
Temperature	Operating	32° to 95° F (0° to 35° C)		



Technical Specifications

Relative humidity	Non-operating	4° to 140° F (-20° to 60° C)
	Operating	10% to 90%, non-condensing
	Non-operating	5% to 95%, 101.6° F (38.7° C) maximum wet bulb temperature
Altitude	Operating	-50 to 10,000 ft (-15.24 to 3,048 m)
	Non-operating	-50 to 40,000 ft (-15.24 to 12,192 m)
Shock	Operating	125 G, 2 ms, half-sine
	Non-operating	200 G, 2 ms, half-sine
Random vibration	Operating	0.75 grms
	Non-operating	1.50 grms
Option Kit Contents	HP 2400/2500 Series Docking Station, AC power adapter documentation	

HP 3-in-1 NAS Docking Station (Product not available in EMEA since September 2007)	Dimensions (H x W x D)	11.02 x 2.95 x 9.69 in (28.0 x 7.5 x 24.6 cm)		
	Weight	6.09 lbs (2.76 kg)		
	Power Supply (input)	Rated Voltage	100-240V~	
		Rated Current	2.5A	
		Line Frequency	50-60 Hz	
	Temperature	Operating	50° to 95° F (10° to 35° C)	
		Non-operating	14° to 140° F (-10° to 60° C)	
	Relative humidity	Operating	10% to 90% relative humidity	
		Non-operating	5% to 90% relative humidity, 101.6° F (38.7° C) maximum wet bulb temperature	
	Maximum Altitude	Operating	0 to 10,000 ft (0 to 3,048 m)	
		Non-operating	0 to 30,000 ft (0 to 9,144 m)	
	Shock	Operating	40 G, 2 ms, half-sine	
		Non-operating	240 G, 2 ms, half-sine	
	Vibration	Operating	.5 G zero-to-peak, 10 to 500 Hz, 0.25 oct/min sweep rate	
		Non-operating	1.5 G, zero-to-peak, 10 to 500 Hz, .5 oct/min sweep rate	
Option Kit Contents	HP 3-in-1 NAS Docking Station, AC power adapter documentation, Software: HP Backup and Recovery Manager (DVD)			

HP 3-in-1 NAS Docking Station Hard Drive (Product not available in EMEA since September 2007)	Capacity	163,928,604,672 bytes		
	Height	1 in (2.54 cm)		
	Width	Media diameter: 3.5 in (8.89 cm)		
		Physical size: 4 in (10.2 cm)		
	Interface	Serial ATA (3.0 Gb/S)		
	Synchronous Transfer Rate (Maximum)	Up to 3 Gb/s		
	Seek Time (typical reads, includes controller overhead, including settling)	Single Track	0.9 ms	
		Average	9.3 ms	
		Full-Stroke	18 ms	
	Cache	8 MB		
Rotational Speed	7,200 rpm			



Technical Specifications

Logical Blocks	320,173,056
Operating Temperature	41° to 131° F (5° to 55° C)

HP 2710p Ultra-Slim Expansion Base	Dimensions (H x W x D)	9.06 x 10.5 x 0.35 in (230.3 x 268.41 x 9 mm)		
	Weight	720g (1.59lbs)		
	Stand-alone power requirements	Normal Operating Voltage	18.5 V	
		Average Operating Power	12.5 W	
		Max Operating Power	< 65 W	
	Temperature	Operating	32° to 95° F (0° to 35° C)	
		Non-operating	-4° to 140° F (-20° to 60° C)	
	Relative humidity	Operating	10% to 90%, non-condensing	
		Non-operating	5% to 95%, 101.6° F (38.7° C) maximum wet bulb temperature	
	Altitude	Operating	-50 to 10,000 ft (-15.24 to 3,048 m)	
Non-operating		-50 to 40,000 ft (-15.24 to 12,192 m)		
Shock	Operating	125 G, 2 ms, half-sine		
	Non-operating	200 G, 2 ms, half-sine		
Random vibration	Operating	0.75 grms		
	Non-operating	1.50 grms		
Option Kit Contents	HP 2710p Ultra-Slim Expansion Base, AC power adapter documentation			

HP Monitor Stand	Dimensions (H x W x D)	5.5 x 13.8 x 14.8 in (14.0 x 35.0 x 37.6 cm)		
	Weight	8.6 lbs (3.90 kg)		
	Temperature	Non-operating	14° to 140° F (-10° to 60° C)	
	Option Kit Contents	HP Monitor Stand, documentation		

HP Adjustable Notebook Stand	Dimensions (H x W x D)	4.3 min - 11 max x 13.15 x 13.0 in (10.9 min - 27.9 max x 33.4 x 33 cm)		
	Weight	8.0 lbs (3.63 kg)		
	Temperature	Non-operating	14° to 140° F (-10° to 60° C)	
	Option Kit Contents	HP Adjustable Notebook Stand, documentation		

HP External MultiBay II	Dimensions (H x W x D)	6.77 x 6.46 x 0.71 in (17.2 x 16.4 cm x 1.8 cm)		
	Weight	1.3 lbs (515 g)		
	Power Supply (input)	Rated Voltage	100 to 240 V	
		Rated Current	0.6A rms	
		Line Frequency	50 - 60 Hz	
	Temperature	Operating	50° to 95° F (10° to 35° C)	
		Non-operating	14° to 140° F (-10° to 60° C)	
	Relative Humidity	Operating/Non-condensing	10% to 90% relative humidity	
	Maximum Altitude	Operating	0 to 10,000 ft (0 to 3,048 m)	
		Non-operating	0 to 30,000 ft (0 to 9,144 m)	
	Shock	Operating	10 G, 11 ms, half-sine	
		Non-operating	60 G, 11 ms, half-sine	



Technical Specifications

Vibration	Operating	0.5 G zero-to-peak, 10 to 500 Hz, 0.25 oct/min sweep rate
	Non-operating	1 G, zero-to-peak, 10 to 500 Hz, 0.5 oct/min sweep rate
Option Kit Contents	HP External MultiBay II, Powered USB cable, Regular USB cable, AC power adapter, documentation	

Related Options

HP 8-Cell Extended Life Battery	PB993A
HP MBII DVD-ROM Drive	PA849A
HP MBII DVD/CD-RW Combo Drive	PA850A
HP MBII SuperMulti (DL) DVD+/-RW Drive	PA851A
HP 80-GB 5400rpm MultiBay II Hard Drive	PH357A

© Copyright 2007 Hewlett-Packard Development Company, L.P.

The information contained herein is subject to change without notice.

The only warranties for HP products and services are set forth in the express warranty statements accompanying such products and services. Nothing herein should be construed as constituting an additional warranty. HP shall not be liable for technical or editorial errors or omissions contained herein.