

StoreJet™ 25 mobile

SATA HDD Enclosure

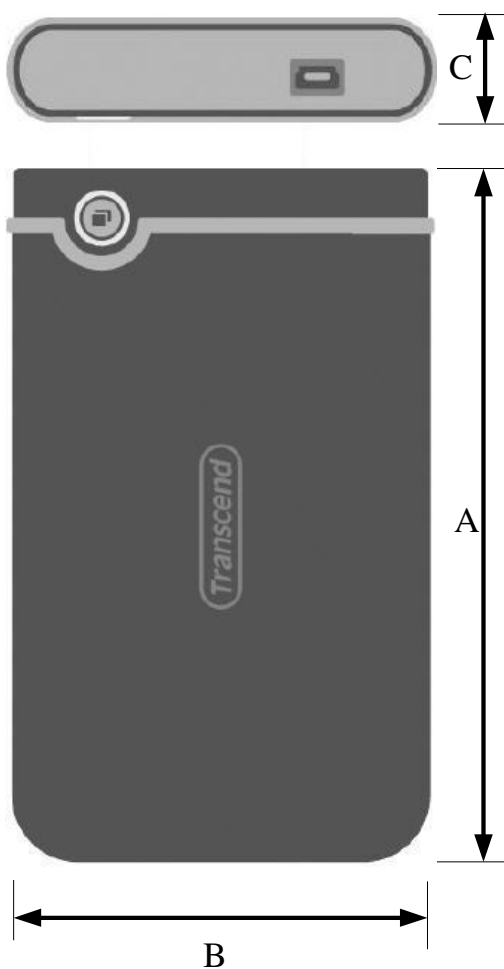
Description

This device is designed to expedite exchanging huge amounts of data between Transcend StoreJet™ and any desktop or notebook computer.

System Requirements

- Desktop or notebook computers with USB port
- One of following operating systems:
 - Windows 2000/XP/Vista, Mac OS 9.0 or above
 - Linux Kernel 2.4.2 or above

Placement



Features

- Hi-Speed USB 2.0 compliant and USB 1.1 backwards compatible
- Easy Plug and Play installation
- Ultra-Portability
- High transfer rate up to 480 Mbits per second
- Additional software pack: StoreJet elite (helps you manage your data)
- OneTouch Auto-Backup function
- Security: Protect your HDD and data with password
- Powered via the USB port. No external power or battery needed
- LED indicates power on and data access
- Recommended operating temperature: 5°C ~ 55°C

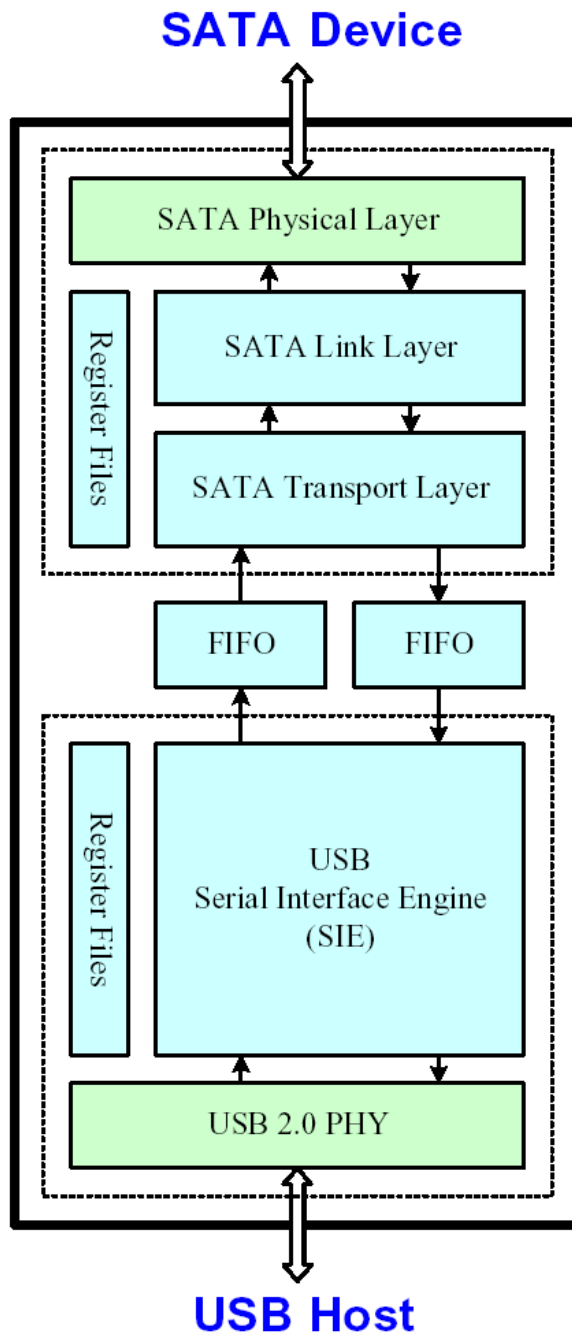
Dimensions

Side	Millimeters	Inches
A	134.00 ± 1.00	5.28 ± 0.04
B	82.40 ± 1.00	3.24 ± 0.04
C	20.40 ± 1.00	0.80 ± 0.04

Ordering Information

Transcend P/N	Capacity
TS160GSJ25M	160GB
TS250GSJ25M	250GB
TS250GSJ25M-R	250GB
TS320GSJ25M	320GB
TS320GSJ25M-R	320GB
TS500GSJ25M	500GB
TS500GSJ25M-R	500GB
TS640GSJ25M	640GB

Block Diagram



StoreJet™ 25 mobile

SATA HDD Enclosure

Pinouts

Pin No.	Pin Name
01	VCC
02	USB-
03	USB+
04	VSS

Pin Identification

Symbol	Function
USB-	USB differential signal
USB+	The pairs are used to transmit Data/Address/Command
VCC	USB Cable Power Detector
VSS	Ground

Specifications

Environment		
Storage Media		2.5 inch SATA Hard Disk
Temperature	Operation	5 °C to 55 °C
	Storage	-40 °C to 70 °C
Power Supply		USB DC 5 Volt
Power Consumption		1090mA (Max.)
Size (L x W x H)		134 mm × 82.4mm × 20.4mm
Weight	With Hard Drive	206g
Humidity		8% to 90% RH
Certificates		CE, FCC, BSMI

Above technical information is based on industry standard data and tested to be reliable. However, Transcend makes no warranty, either expressed or implied, as to its accuracy and assumes no liability in connection with the use of this product. Transcend reserves the right to make changes in specifications at any time without prior notice.