

User's Manual

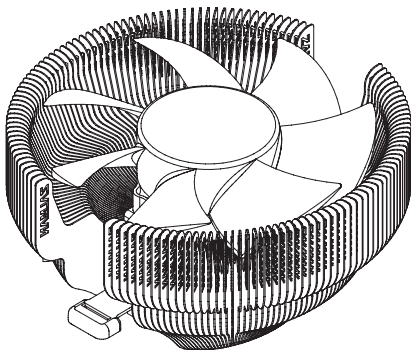
CNPS7500 LED Series

Intel Socket 1155/1156/775 CPUs

- Core i7
- Core i5
- Core i3
- Core 2 Quad
- Core 2 Duo
- Pentium Dual Core
- Pentium D
- Pentium 4
- Celeron D

AMD Socket AM3/AM2+/AM2/754/939/940 CPUs

- Phenom II
- Phenom
- Athlon II
- Athlon X2
- Athlon FX
- Athlon
- Opteron
- Dual-Core Opteron
- Sempron



To ensure safe and easy installation,
please read the following precautions.

www.ZALMAN.com

1. Precautions

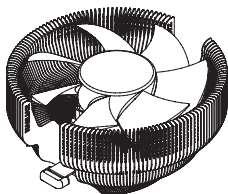
- 1) Use and keep product away from reach of children and pets.
- 2) Do not ingest the Thermal Grease, and avoid its contact with skin and eyes. If contact is made with skin, wash off with water. If ingested or irritation persists, seek medical attention.
- 3) To prevent possible injuries, gloves must be worn while handling this product.
- 4) Excessive force exerted on the fan may cause damage to the fan and/or system.
- 5) Avoid inserting objects or hands into the fan while it is in operation to prevent product damage and injuries.
- 6) Check the components list and condition of the product before installation. If any problem is found, contact the retailer to obtain a replacement.
- 7) Zalman Tech Co., Ltd. is not responsible for any damages due to overclocking.
- 8) During transportation of the system, the cooler must be removed. Zalman is not responsible for any damages that occur during the transport of a system.
- 9) Product design and specifications may be revised to improve quality and performance.

Disclaimer) Zalman Tech Co., Ltd. is not responsible for any damages due to external causes, including but not limited to, improper use, problems with electrical power, accident, neglect, alteration, repair, improper installation, or improper testing.

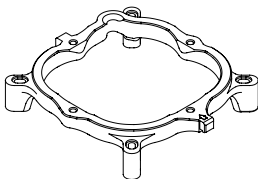
2. Specifications

Spec.		Model	CNPS7500-Cu LED	CNPS7500-AICu LED
Materials			Pure Copper	Pure Copper and Aluminum
Weight			848g	500g
Dimensions			121(L) X 121(W) X 67(H)mm	
Fan	Bearing-Type		2 Ball-Bearing	
	RPM		1,150 ~ 2,300rpm ± 10%	
	Noise Level		17.0 ~ 32.0dBA ± 10%	
	Input Voltage		12V	
Fan Mate 2	Output Voltage		5V ~ 11V ± 2%	
	Maximum Capacity		Up to 6W	

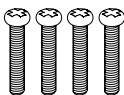
3. Components



Cooler



Clip Support



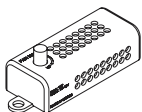
Clip Support Fixing Bolts



Washers



Nuts



Fan Mate 2



Fan Mate 2 Cable



Double-Sided Tape



Thermal Grease



User's Manual

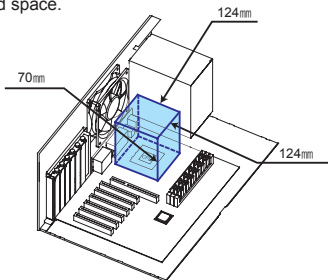


Clip Lever

4. Installation Requirements

1) Space Requirements

The cooler's installation requires unobstructed space with dimensions of 124mm(width), 124mm(height), 70mm(depth), and the CPU as a central reference point. Please check if components such as ODDs and PSU protrude into the required space.



2) Compatible CPUs

① Intel Socket 1155 / 1156 / 775 CPUs

Core i7 / i5 / i3	Core 2 Quad	Core 2 Duo
all clock speeds	all clock speeds	all clock speeds
Pentium 4		Celeron D
Prescott	Cedar Mill	
up to 540	up to 650	all clock speeds

② AMD Socket AM3 / AM2+ / AM2 / 754 / 939 / 940 CPUs

※ Exception: all Phenom II models up to 945 (less than 95W), all Phenom models up to 9650 (less than 95W)

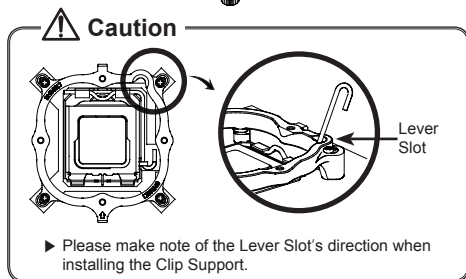
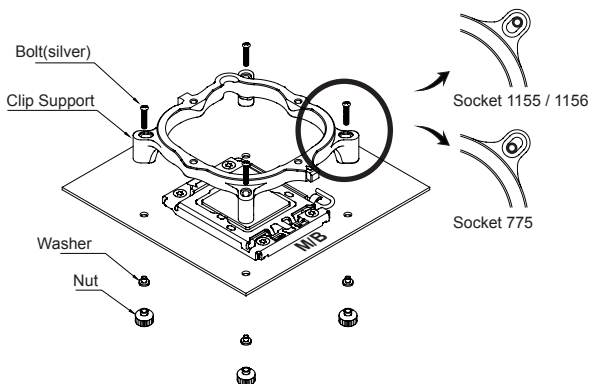
3) (For heatsink-installed RAM users) Check for physical interference between the RAM and CPU

For users of Intel and AMD motherboards, please check the RAM's height before installation. If the RAM's height exceeds 36mm (1.42"), interference between CPU cooler and RAM may prevent the use of Dual/Full-Channel Mode.

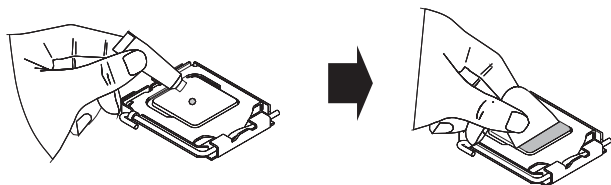
5. Installation

1) Intel Socket Installation

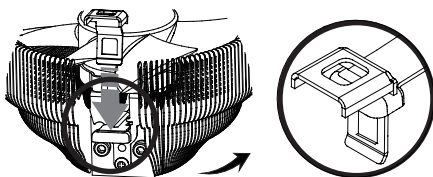
- ① Install the Clip Support to the motherboard according to the socket-type.



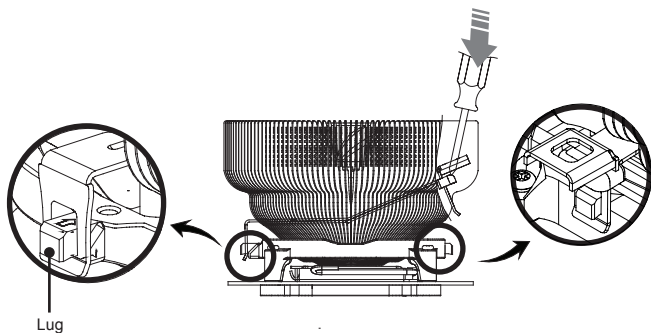
- ② Clear off any particles or residue from the CPU's surface then spread a thorough layer of Thermal Grease on the CPU and the base of the cooler.



- ③ Insert the Clip Lever through the Clip's Clip Lever slot.

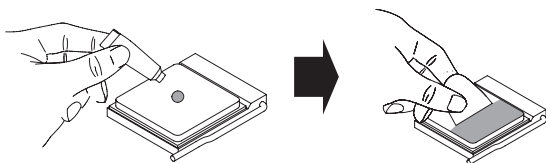


- ④ Hook the opposite side of the Clip onto the Lug first, then use a screwdriver to hook the Clip Lever onto its Lug.

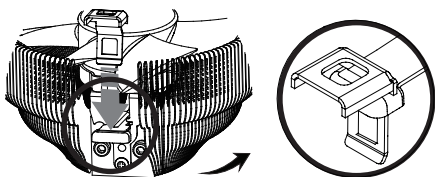


2) AMD Socket Installation

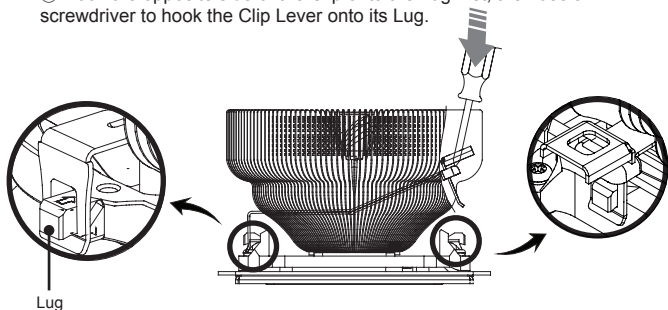
- ① Clear off any particles or residue from the CPU's surface then spread a thorough layer of Thermal Grease on the CPU and the base of the cooler.



- ② Insert the Clip Lever through the Clip's Clip Lever slot.



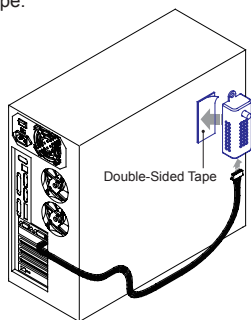
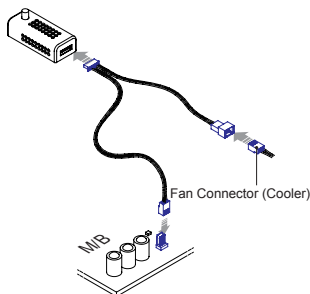
- ③ Hook the opposite side of the Clip onto the Lug first, then use a screwdriver to hook the Clip Lever onto its Lug.



6. Fan Mate 2 Installation and Usage

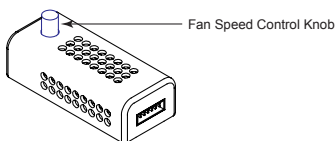
1) Fan Mate 2 Installation

- ① Connect Fan Mate 2 between the Fan Cable and the motherboard as shown in the diagram below.
- ② Fan Mate 2 can be installed to the side of the case using Double-Sided Tape.



2) Fan Mate 2 Operation

Adjust the Fan Speed Control Knob for RPM control.



BIOS Booting Error

In the case that you get a BIOS error beep:

- ① Rotate the Fan Speed Control Knob clockwise to the maximum setting.
- ② Disable CPU Fan Detected in BIOS setting or set the system monitoring program's CPU Fan RPM to the lowest setting.

※ Certain motherboards will not boot if the CPU fan's RPM is not detected. In this case inquire to the motherboard's manufacturer for additional details.